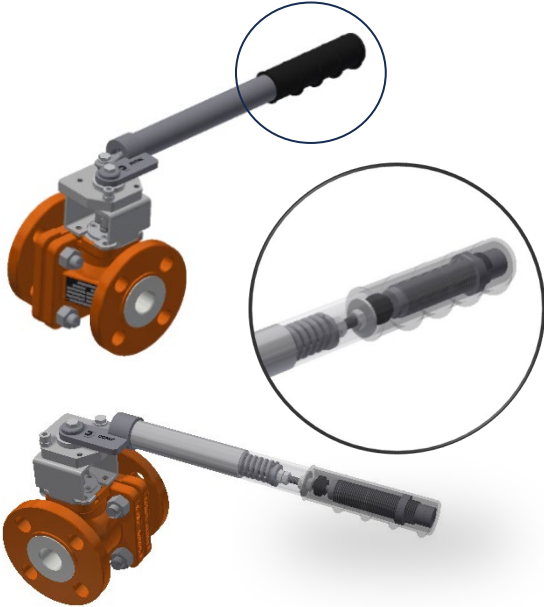




Dopak Spring Return Handle for ball valves with ISO 5211 topworks

Dopak has developed a spring return handle to serve the markets growing demand for more safety and ergonomics. A spring return handle ensures a normally closed position of the 2-way valve when valve is not being operated.



Features:

- Normally closed position of valve when not being operated
- Handle torque is adjustable with specific range
- Handle has an adjustable damper to provide controlled closing of the valve and to prevent damage on the stem seals
- Position of handle can be change 180°
- Designed for ISO 5211 topworks

Specifications:

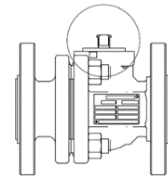
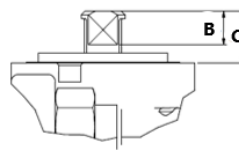
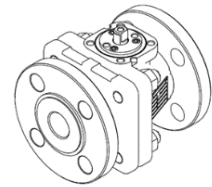
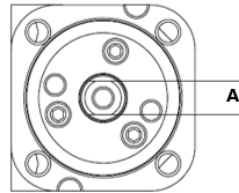
- Material : Stainless steel for externals. Plastic handle cover.
- Iso 5211 topwork : F03, F04, F05 and F07.
- Stem extensions : 40 mm (standard), 80 or 120 mm.
- Torque : 15, 25 or 35 Nm.

In order to generate the correct code for the Dopak Spring Return Handle, suited for pipe spec ball valves with ISO 5211 Topworks, please measure the items of A, B and C in mm:

- A Stem width
- B Stem actuating height
- C Total height

and select one of the options of D, E and F:

- D ISO 5211 Topworks type: F03, F04, F05 or F07
- E Torque: 15, 25 or 35 Nm
- F Stem Extension: 40 (standard), 80 or 120 mm



EXAMPLE CODE: DSRH-9-9-14-F07-25-40

		Code	Unit (metric)	Options			
Stem width	A	9	mm				
Stem actuating	B	9	mm				
Stem total	C	14	mm				
ISO 5211	D	F07	-	F03	F04	F05	F07
Torque	E	25	Nm	15	25	35	
Stem	F	40	mm	40 (std)	80	120	

For more information, please refer to our component sheet:

Dopak® Component sheet Handles

For any other configurator and information required, please contact our sales department in Bergschenhoek, the Netherlands, or Houston, TX, USA or your local distributor.

Dopak PFT Corp.
Houston, Texas 77041, USA
Phone 713-460-8311
E-mail info-dopak@cranecpe.com

Dovianus B.V.
Bergschenhoek, The Netherlands
Phone +31 10 524 20 00
E-mail dopak@cranecpe.com

www.dopak.com

